

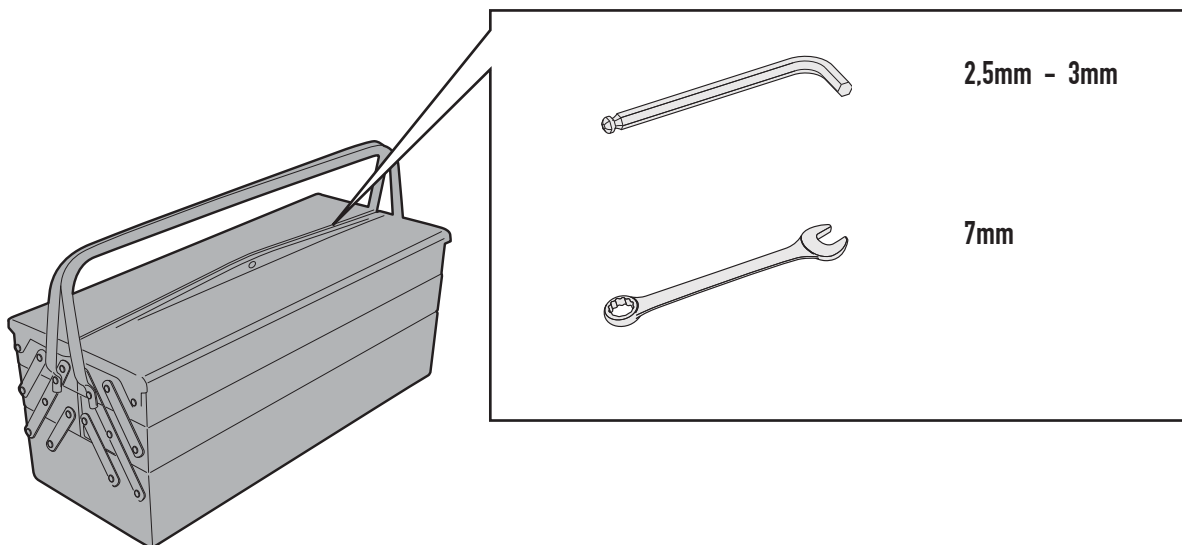
BF15K

Flangia Specifica per borse Tanklock - Specific Carrier for Tanklock bags
Brides spécifiques pour Tanklock bagagerie souple - Tankringen für tanklock Weichtaschen
Aro específico para bolsa Tanklock

N°	Descrizione	Caratteristiche	Codice	Quantità	
1	Flangia - Support Brides - Tankringen - Aro	-	GL1700	1	
2	Supporto - Support Support - Halterung Soporte	Sp. 2mm	GL2274	1	
3	Vite - Screw Vis - Schraube Tornillo	TBEI M5x40	540TBEIX	4	
4	Vite - Screw Vis - Schraube Tornillo	TBEI M4x12	412TBEIX	3	
5	Distanziale - Spacer Entretoise - Distanzstueck Distanciador	Ø14x16 foro 8.5mm	V457	2	
6	Distanziale - Spacer Entretoise - Distanzstueck Distanciador	Ø14x18 foro 6.5mm	V462	2	
7	Dado - Bolt - Ecrou Mutter - Tuerca	Auto Bloccante M4	-	3	
8	Particolari inclusi nella borsa tanklock - Components included in the tanklock bag - Pièces incluses dans la tanklock bag - Teile inkludiert in der tanklock tasche - Componente incluido na bolsa tanklock	-	ZT480F	-	

BF15K

Flangia Specifica per borse Tanklock - Specific Carrier for Tanklock bags
Brides spécifiques pour Tanklock bagagerie souple - Tankringen für tanklock Weichtaschen
Aro específico para bolsa Tanklock



BF15K

Flangia Specifica per borse Tanklock - Specific Carrier for Tanklock bags
Brides spécifiques pour Tanklock bagagerie souple - Tankringen für tanklock Weichtaschen
Aro específico para bolsa Tanklock

